

JLG 400 SERIES



- Choice of models with working heights from 14 m to 16 m*
- Fast boom and drive speeds improve productivity.
 - Multiple simultaneous boom functions to get to the job quicker
 - Proportional controls achieve smoother movement for operator comfort
 - Excellent manoeuvrability for positioning of machine and platform
 - Use in all driving conditions
- Increased platform capacity if required**

* Model 400S - 14.02 m working height
Model 460SJ - 15.85m working height

** Model 400S only

For more details check the JLG Technical Specification Guide or ask your local JLG representative.



Oscillating axle option for tough travel

Provides increased traction when travelling.



Controls designed for ease of operation

Easier to operate when positioning and controlling movement.



Optional Increased capacity*

Allows for extra materials in the platform.

*Model 400S only.



Greater serviceability

Improved access with an engine swing-out tray.



Articulating Jib

Allows for greater versatility when positioning the platform around obstacles.

*Model 460SJ only.



Semi-track Option with Floating idler

Assists when travelling through mud, sand and snow.

JLGEUROPE

JLG Industries (Europe), A Division of JLG Industries, Inc.
Kilmartin Place, Tannochside Park,
Uddingston, G71 5PH, Scotland.
Tel: 01698 811005
Fax: 01698 811055

www.jlg.com



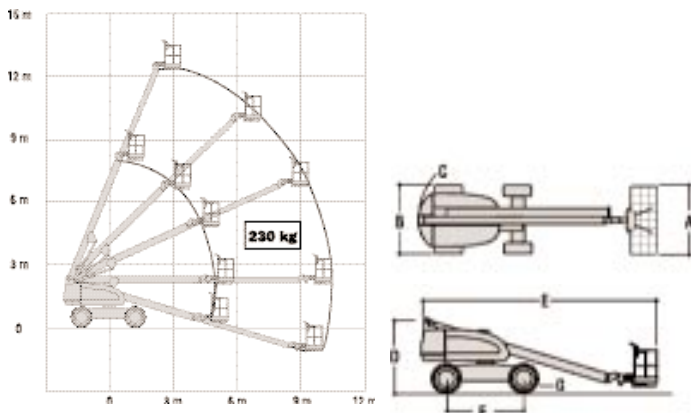
400 SERIES TELESCOPIC BOOM LIFTS

	400S	460SJ
Platform Height	12.19 m	14.02 m
Horizontal Outreach	10.36 m	12.34 m
Swing (Continuous)	360°	360°
Platform Capacity – Unrestricted	230 kg	230 kg
Optional Platform Capacity	340 kg	—
Platform Rotator (Hydraulic)	180°	180°
Jib – Overall Length	—	1.83 m
Jib - Range of articulation	—	140° (+75°/-65°)
A. Platform Size	0.76 m x 1.83 m	0.76 m x 1.83 m
B. Overall Width	2.34 m	2.34 m
C. Tailswing (working condition)	0.86 m	0.86 m
D. Stowed Height	2.39 m	2.39 m
E. Stowed Length	7.54 m	8.84 m
F. Wheelbase	2.34 m	2.34 m
G. Ground Clearance	0.32 m	0.32 m
Gross Vehicle Weight*	6,200 kg	7,850 kg
Maximum Ground Bearing Pressure	3.7 kg/cm ²	4.4 kg/cm ²
Maximum Tyre Load	3,230 kg	3,357 kg
Drive Speed 2WD	7.2 km/h	7.2 km/h
Drive Speed 4WD	7.2 km/h	7.2 km/h
Gradeability 2WD	30%	30%
Gradeability 4WD	45%	45%
Tyres	12 x 16.5 Foam Filled	12 x 16.5 Foam Filled
Axle Oscillation (optional)	0.20 m	0.20 m
Turning Radius – Inside	2.03 m	2.03 m
Turning Radius – Outside	4.88 m	4.88 m
Diesel Engine	35 kW Deutz 3M1011F	35 kW Deutz 3M1011F
Fuel Tank Capacity	98 L	98 L
Hydraulic Reservoir	151 L	151 L
Auxiliary Power	12V DC	12V DC

*Certain options or country standards will increase weight.

Specifications may change to meet country standards or with the addition of optional equipment.

JLG MODEL 400S



JLG MODEL 460SJ

