



## JLG 450 SERIES

- Choice of models with up to a 15.5 m working height
- Fast boom and drive speeds improve work productivity
- Multiple simultaneous boom functions get you to the job quicker
- Proportional controls achieve smoother movement for operator comfort
- Excellent manoeuvrability for positioning of machine and platform
- Handle the roughest terrain with increased engine power

For more details check the JLG Technical Specification Guide or ask your local JLG representative.



### Oscillating axle option for tough travel

Provides increased traction when travelling.



### Easy to follow layout of controls

Console designed for ease of use and rapid positioning control.



### Semi-track Option with Floating idler

Assists when travelling through mud, sand and snow.



### Operator's Tool Tray

Provides a handy storage area for tools, fasteners and other work materials.



### Articulating Jib\*

Allows for greater versatility when positioning the platform around obstacles.

\* Model 450AJ only.



### Operator's Tool Tray

Provides a handy storage area for tools, fasteners and other work materials.

### JLGEUROPE

JLG Industries (Europe), A Division of JLG Industries, Inc.  
Kilmartin Place, Tannochside Park,  
Uddingston, G71 5PH, Scotland.  
Tel: 01698 811005  
Fax: 01698 811055

[www.jlg.com](http://www.jlg.com)



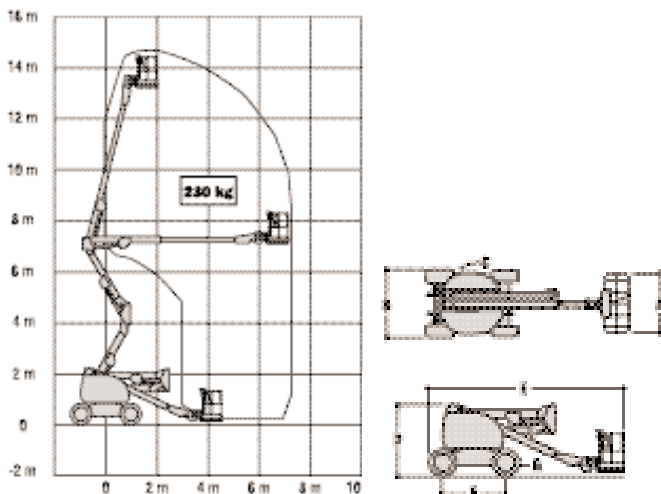
# 450 SERIES ARTICULATING BOOM LIFTS

	450A	450AJ	450A-ST	450AJ-ST
Platform Height	13.72 m	13.72 m	13.72 m	13.72 m
Horizontal Outreach	7.24 m	7.47 m	7.24 m	7.47 m
Up and Over Height	7.39 m	7.34 m	7.39 m	7.34 m
Swing (non continuous)	360°	360°	360°	360°
Platform Capacity – Unrestricted	230 kg	230 kg	230 kg	230 kg
Platform Rotator (Hydraulic)	180°	180°	180°	180°
Jib – Overall Length	—	1.37 m	—	1.37 m
Jib - Range of articulation	—	135° (+70°/ -65°)	—	135° (+70°/ -65°)
A. Platform Size	0.76 m x 1.83 m	0.76 m x 1.83 m	0.76 m x 1.83 m	0.76 m x 1.83 m
B. Overall Width	1.98 m	1.98 m	1.98 m	1.98 m
C. Tailswing (working condition)	Zero	Zero	Zero	Zero
D. Stowed Height	2.24 m	2.24 m	2.24 m	2.24 m
E. Stowed Length	6.15 m	6.71 m	6.15 m	6.71 m
F. Wheelbase	1.98 m	1.98 m	1.98 m	1.98 m
G. Ground Clearance	0.28 m	0.28 m	0.28 m	0.28 m
Gross Vehicle Weight*	7,090 kg	7,242 kg	7,300 kg	7,500 kg
Maximum Ground Bearing Pressure	8.3 kg/cm <sup>2</sup>	8.5 kg/cm <sup>2</sup>	3.34 kg/cm <sup>2</sup>	3.42 kg/cm <sup>2</sup>
Drive Speed 2WD	7.2 km/h	7.2 km/h	—	—
Drive Speed 4WD	3.6 km/h	3.6 km/h	3.6 km/h	3.6 km/h
Gradeability 2WD	30%	30%	—	—
Gradeability 4WD	40%	40%	40%	40%
Tyres (Foam Filled)	12 x 16.5	12 x 16.5	12 x 16.5	12 x 16.5
Type of Tracks	—	—	Open Bar Steel Track	Open Bar Steel Track
Tracks Width	—	—	0.37 m	0.37 m
Axle Oscillation (optional)	0.20 m	0.20 m	0.20 m	0.20 m
Turning Radius – Inside	1.73 m	1.73 m	1.73 m	1.73 m
Turning Radius – Outside	4.27 m	4.27 m	4.27 m	4.27 m
Diesel Engine (Deutz F3M1011)	35 kW	35 kW	35 kW	35 kW
Fuel Tank Capacity	62.5 L	62.5 L	62.5 L	62.5 L
Hydraulic Reservoir	113.6 L	113.6 L	113.6 L	113.6 L
Auxiliary Power	12V DC	12V DC	12V DC	12V DC

\*Certain options or country standards will increase weight.

Specifications may change to meet country standards or with the addition of optional equipment.

## JLG MODEL 450A



## JLG MODEL 450AJ

