



## JLG 600 SERIES

- Choice of models with up to a 20 m working height
- Fast boom and drive speeds improve work productivity
- Multiple simultaneous boom functions get you to the job quicker
- Proportional controls achieve smoother movement for operator comfort
- Excellent manoeuvrability for positioning of machine and platform
- Handle the roughest of terrain with increased engine power

For more details check the JLG Technical Specification Guide or ask your local JLG representative.



### Oscillating axle option for tough travel

Provides increased traction when travelling.



### Controls designed for ease of operation

Easier to operate when positioning and controlling movement.



### Articulating Jib

Allows for greater versatility when positioning the platform around obstacles.

\*Model 600AJ only.



### Low mount platform access

Step-in entry height and high strength railings provide operator both convenience and security.



### Narrow Chassis Option

A reduced chassis width of 2.1 m helps access into congested work areas.



### Greater serviceability

Improved access with an engine swing-out tray.

### JLGEUROPE

JLG Industries (Europe), A Division of JLG Industries, Inc.  
Kilmartin Place, Tannochside Park,  
Uddingston, G71 5PH, Scotland.  
Tel: 01698 811005  
Fax: 01698 811055

[www.jlg.com](http://www.jlg.com)



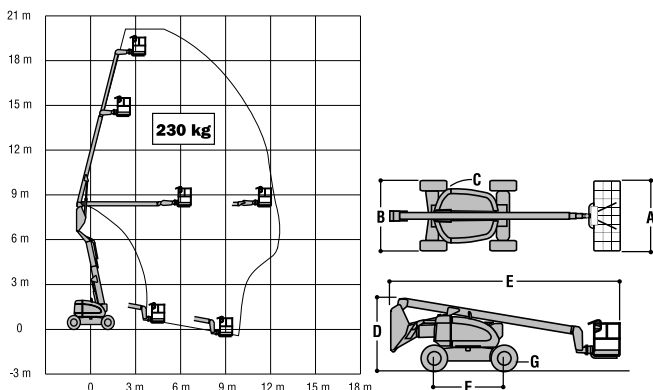
# 600 SERIES ARTICULATING BOOM LIFTS

	600A	600AJ	600A narrow	600AJ narrow
Platform Height	18.29 m	18.29 m	18.29 m	18.29 m
Horizontal Outreach	12.07 m	12.12 m	12.07 m	12.12 m
Up and Over Height	8.05 m	8.05 m	8.05 m	8.05 m
Swing (Continuous)	360°	360°	360°	360°
Platform Capacity – Unrestricted	230 kg	230 kg	230 kg	230 kg
Platform Rotator (Hydraulic)	180°	180°	180°	180°
Jib – Overall Length	—	1.83 m	—	1.83 m
Jib - Range of articulation	—	135° (+70°/ -65°)	—	135° (+70°/ -65°)
A. Platform Size	0.91 m x 1.83 m	0.91 m x 1.83 m	0.91 m x 1.83 m	0.91 m x 1.83 m
B. Overall Width	2.44 m	2.44 m	2.13 m	2.13 m
C. Tailswing –working condition	Zero	Zero	0.13 m	0.13 m
D. Stowed Height	2.56 m	2.56 m	2.56 m	2.56 m
E. Stowed Length	8.05 m	8.82 m	8.05 m	8.82 m
F. Wheelbase	2.44 m	2.44 m	2.44 m	2.44 m
G. Ground Clearance	0.30 m	0.30 m	0.30 m	0.30 m
Gross Vehicle Weight*	10,330 kg	10,650 kg	9,616 kg	10,183 kg
Maximum Ground Bearing Pressure	4.93 kg/cm <sup>2</sup>	4.86 kg/cm <sup>2</sup>	6.42 kg/cm <sup>2</sup>	6.50 kg/cm <sup>2</sup>
Drive Speed 2WD	5.6 km/h	5.6 km/h	5.6 km/h	5.6 km/h
Drive Speed 4WD	6.4 km/h	6.4 km/h	—	—
Gradeability 2WD	30%	30%	30%	30%
Gradeability 4WD	45%	45%	—	—
Tyres	14 x 17,5 Foam Filled	14 x 17,5 Foam Filled	14 x 17,5 Solid, Segmented	14 x 17,5 Solid, Segmented
Axle Oscillation (optional)	0.20 m	0.20 m	0.20 m	0.20 m
Turning Radius – Inside 2WS	3.48 m	3.48 m	3.71 m	3.71 m
Turning Radius – Inside 4WS	1.67 m	1.67 m	1.70 m	1.70 m
Turning Radius – Outside 2WS	5.38 m	5.38 m	5.03 m	5.03 m
Turning Radius – Outside 4WS	3.55 m	3.55 m	3.40 m	3.40 m
Diesel Engine – Deutz F4M1011E	48.5 kW	48.5 kW	48.5 kW	48.5 kW
Fuel Tank Capacity	113.6 L	113.6 L	113.6 L	113.6 L
Hydraulic Reservoir	115.8 L	115.8 L	115.8 L	115.8 L
Auxiliary Power	12V DC	12V DC	12V DC	12V DC

\*Certain options or country standards will increase weight.

Specifications may change to meet country standards or with the addition of optional equipment.

## JLG MODEL 600A



## JLG MODEL 600AJ

